





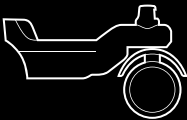
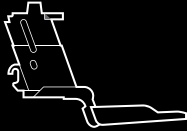

Travel Guide

Vehicle



W x H x D	58.4 (-66) x 87 (-98) x 105 cm 23 (-26) x 34.3 (-38.7) x 41.2 inch
Weight	63.9 kg / 141 lbs (exclude battery)

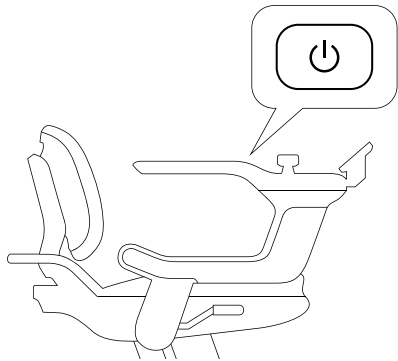
Module

Module	Battery ¹	Rear chassis	Front chassis	Main support	Seat
					
W x H x D	20.5 x 31 x 11 cm 8 x 12.2 x 4.3 inch	48 x 40 x 58 cm 19 x 15.7 x 23 inch	61 x 41.5 x 65 cm 24 x 16.3 x 25.6 inch	25 x 35 (-45) x 71 cm 9.8 x 13.8 (-17.8) x 28 inch	58 (-66) x 45.5 (-59) x 79 cm 23 (-26) x 18 (-23.2) x 31.1 inch
Weight	6 kg / 13.2 lbs	19.8 kg / 43.7 lbs	18.3 kg / 40.3 lbs	7.4 kg / 16.3 lbs	18.4 kg / 40.6 lbs

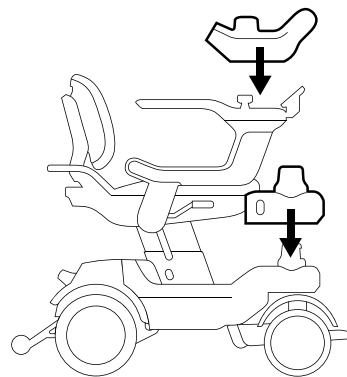
¹For information regarding Flight-safe Battery, please refer to Air Travel Guide.

Disassembly

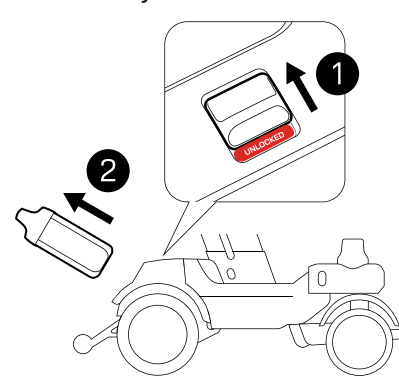
1 Long press power key to turn off the device



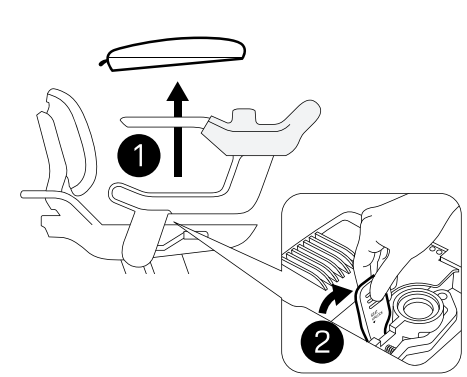
2 Install screen and sensor covers



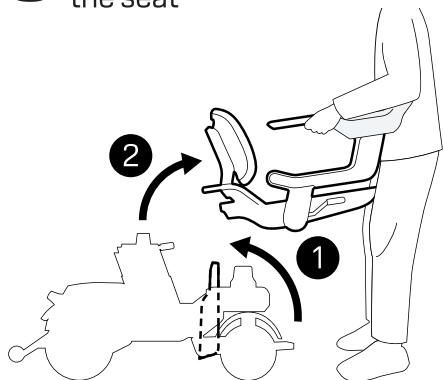
3 Unlock and remove the battery



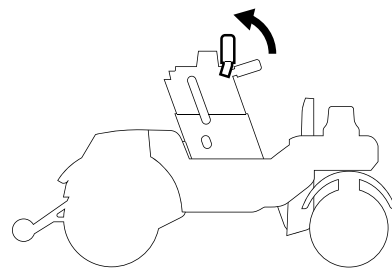
4 Remove the cushion and unlock the seat



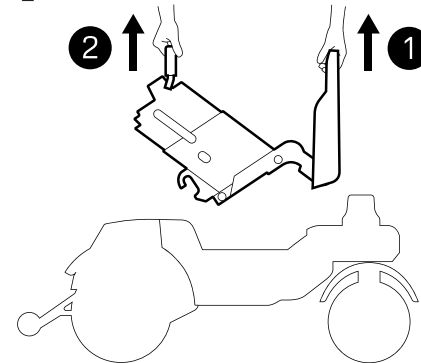
5 Lift footrest and remove the seat



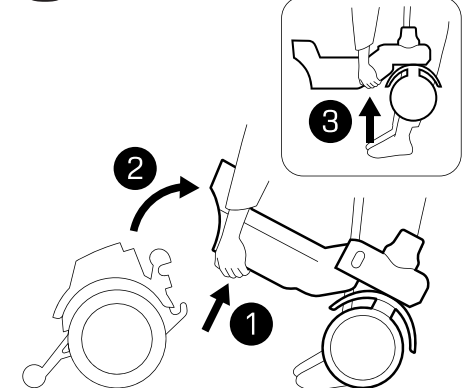
6 Unlock main support



7 Remove the main support



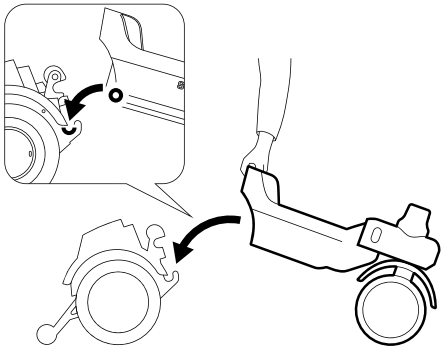
8 Separate the front chassis



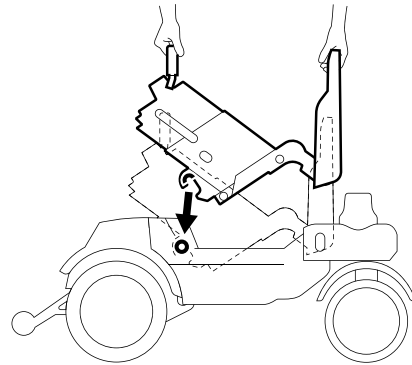
For those with limited trunk/boot space, we recommend placing the seat module on the rear seats. Avoid stacking parts on top of each other.

Assembly

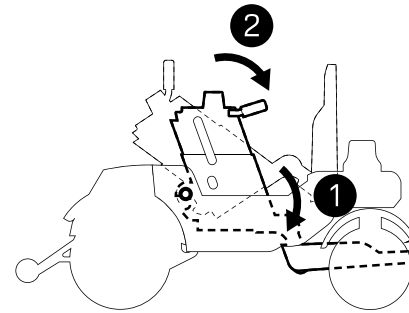
1 Connect front and rear chassis



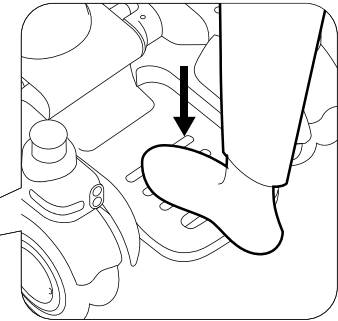
2 Hook the main support onto the chassis



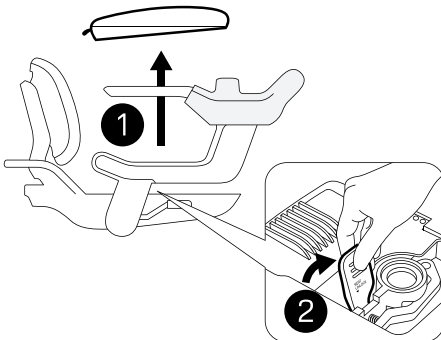
3 Rotate module and lock the handle



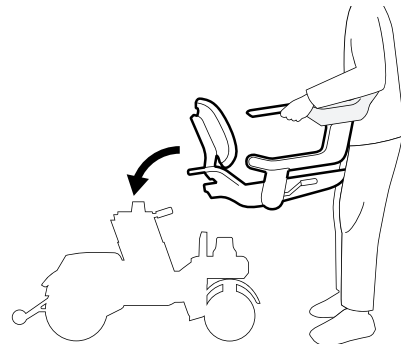
4 Secure the main support



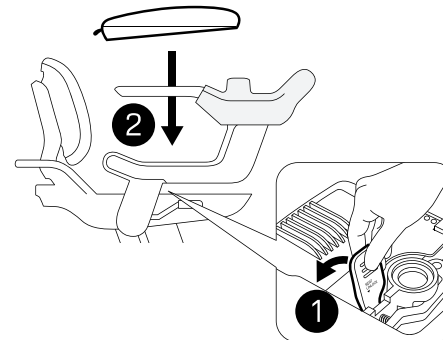
5 Remove seat cushion and unlock seat



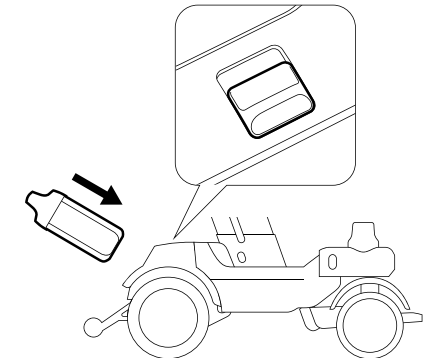
6 Install the seat onto the main support



7 Lock seat and place cushion



8 Insert battery and check it's locked



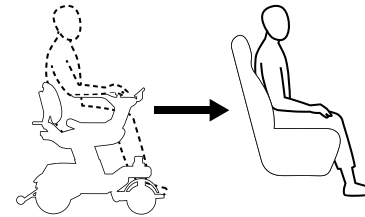
Remember to remove screen and sensor covers before driving.

Tie-down

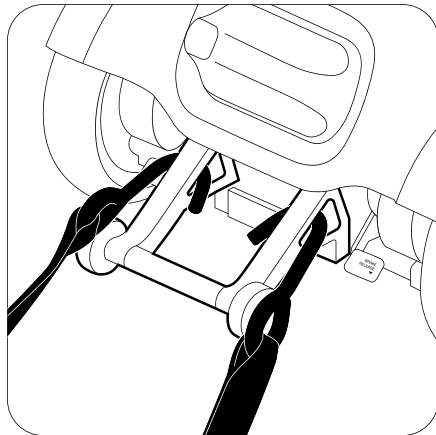
1 Drive into the accessible van



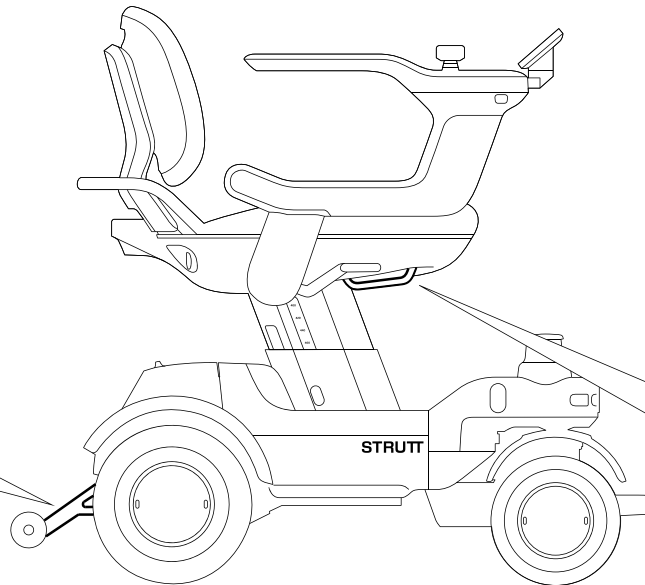
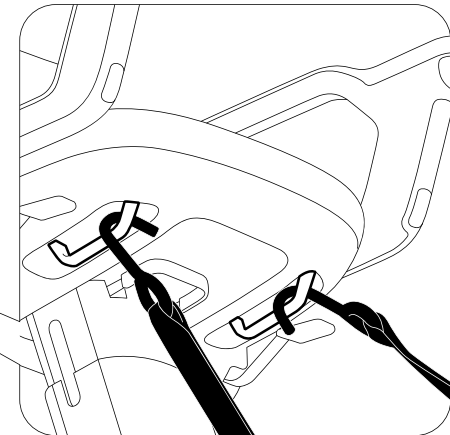
2 Transfer to passenger seat



3 Hook tie-down strap onto the anti-tipping structure



4 Hook tie-down strap under the seat



Make sure the brakes are always applied during transportation.