

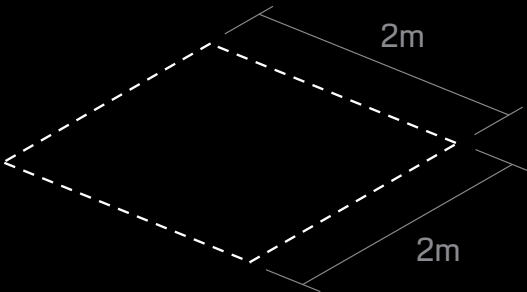


Setup Guide

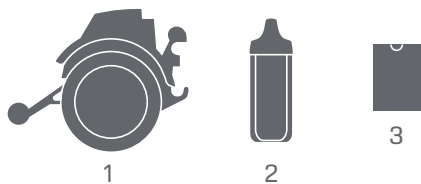
User guide and
technical support:



To ensure a safe assembly, please clear a level floor space of at least 2x2m before beginning.

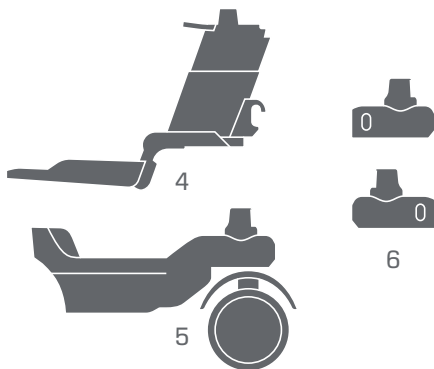


WHAT'S INCLUDED



Box 1

1. Rear chassis
2. Long-range battery
3. Startup kit



Box 2

4. Main support
5. Front chassis
6. Sensor covers



Box 3

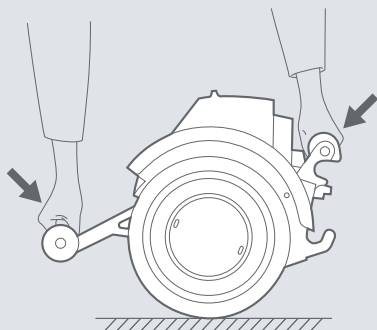
7. Universal mount
8. Seat cushion
9. Screen module
10. Compact backrest
11. Seat
12. H3 Tool and screws kit
13. H5 and H6 tool
14. Charger cable
15. Fast charger
16. Seat storage
17. Accessory kit
18. Screen cover

LIFTING GUIDE



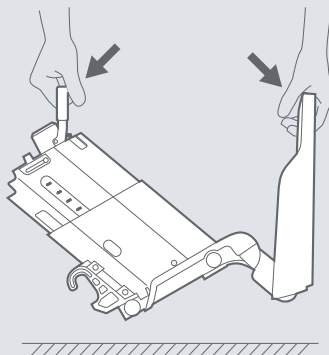
Box 1

REAR CHASSIS



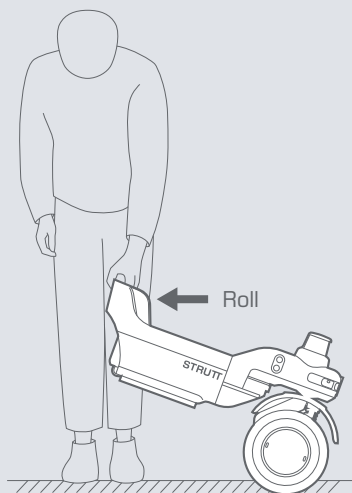
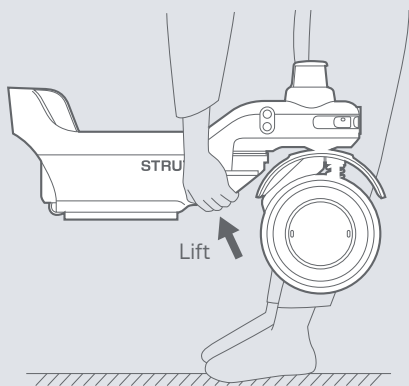
Box 2

MAIN SUPPORT



Box 2

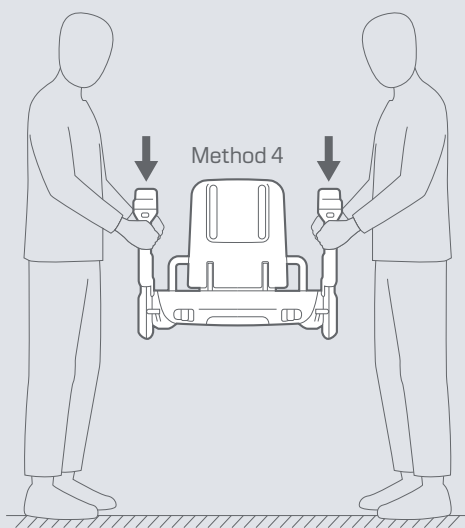
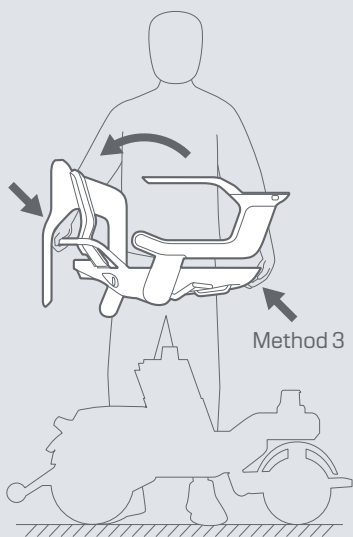
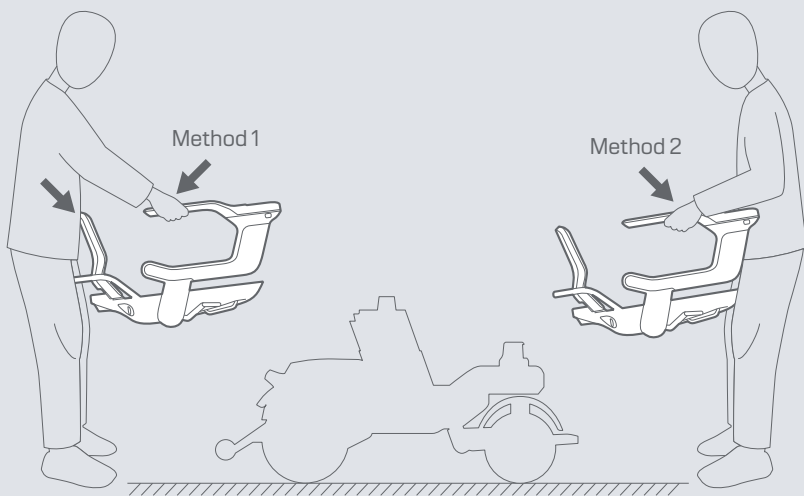
FRONT CHASSIS





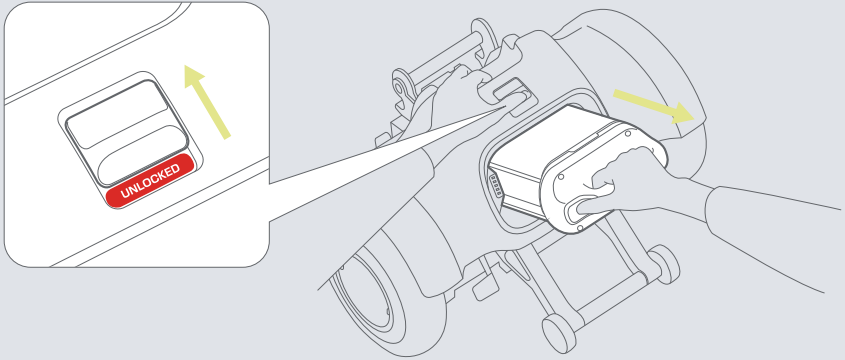
Box 3

SEAT

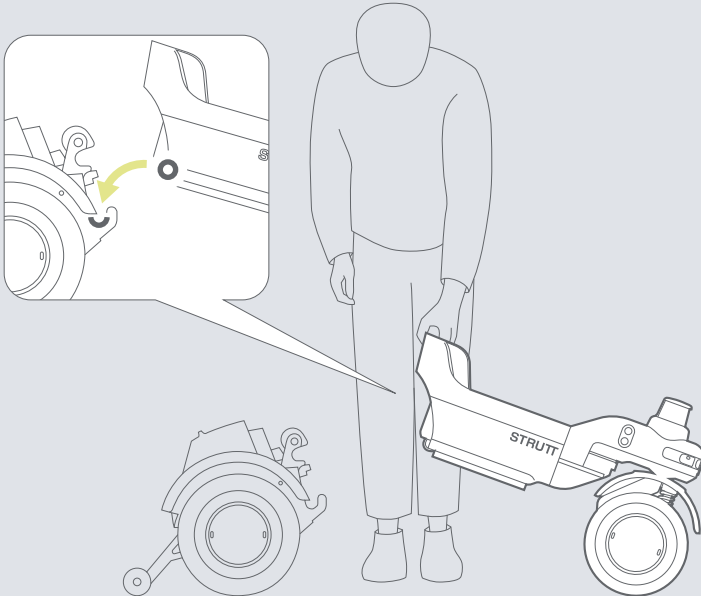


STEP 01 | CHASSIS ASSEMBLY

01 Unlock and remove battery

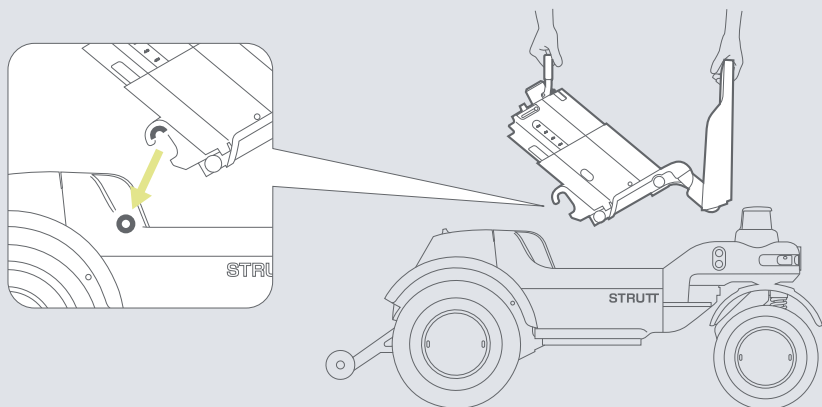


02 Connect front and rear chassis

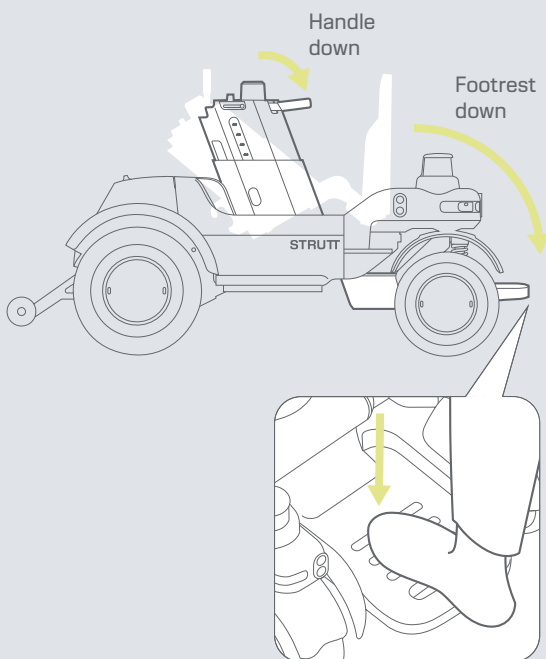


STEP 02 | INSTALL MAIN SUPPORT

03 Hook the main support onto the chassis



04 Rotate and lock the main support in place



05 Adjust seat height

Seat	User Height ¹
400	4.9 - 5.2 ft 150-158 cm
420	5.2 - 5.5 ft 159-166 cm
440	5.5 - 5.7 ft 167-174 cm
460	5.7 - 6.0 ft 175-182 cm
480	6.0 - 6.2 ft 183-190 cm
500	>6.2 ft >190 cm

¹For reference only

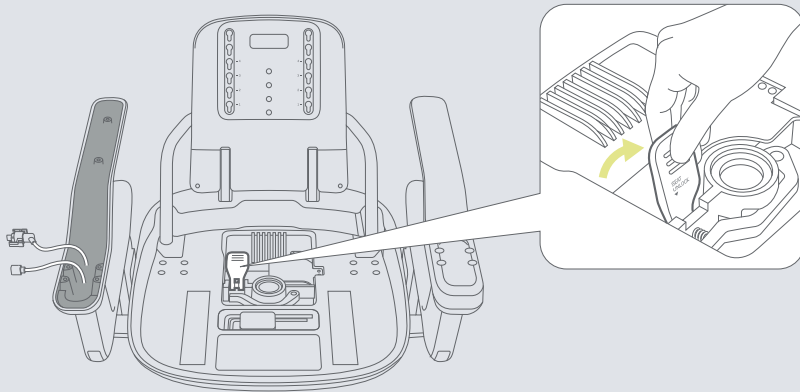
Scan for video instructions



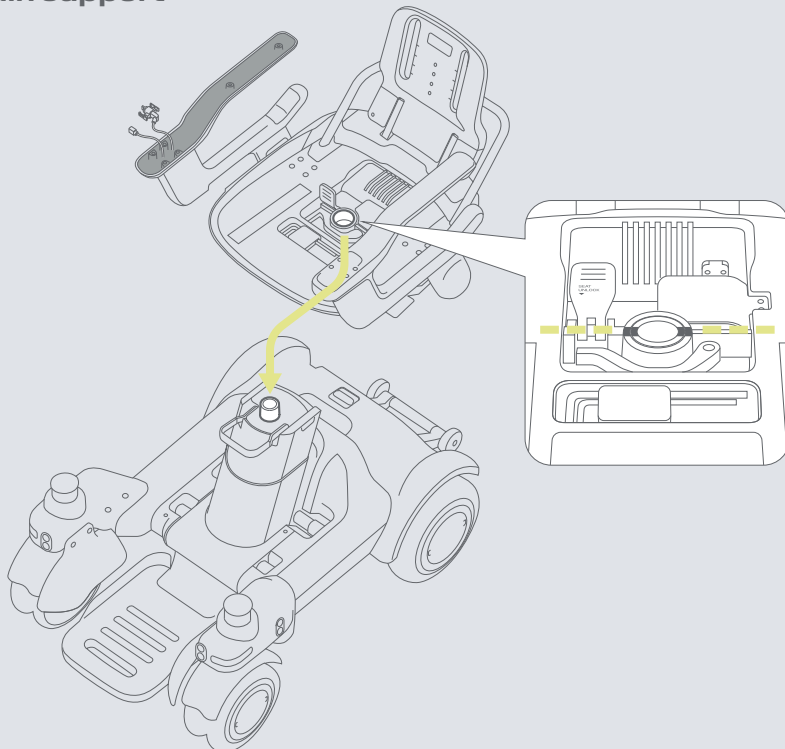
During rotation, contact between footrest and wheelguard is normal.

STEP 03 | INSTALL SEAT

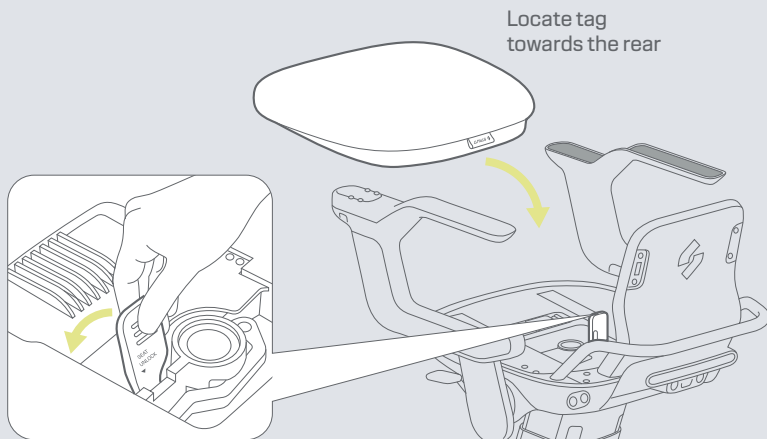
06 Unlock seat



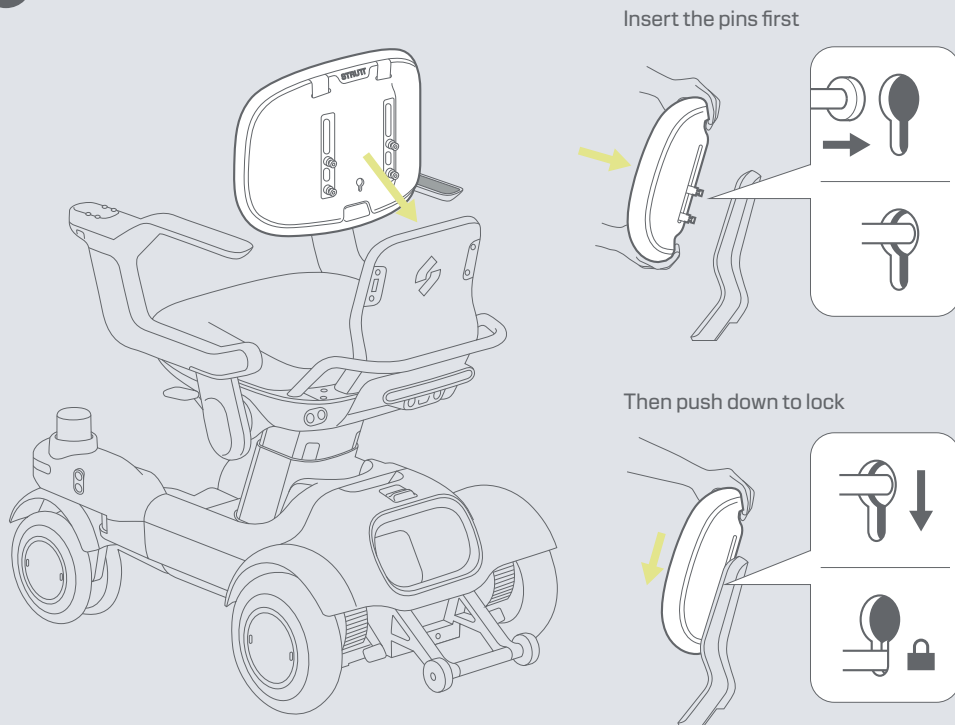
07 Install seat onto main support



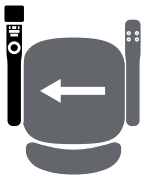
08 Lock seat and install cushion



09 Install backrest



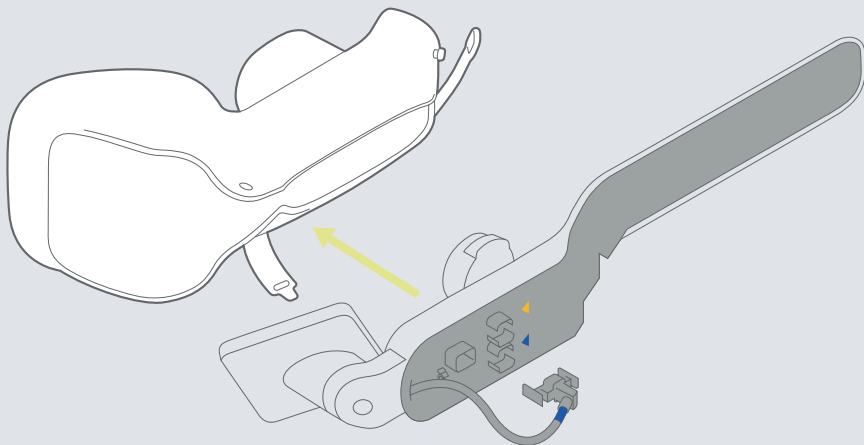
STEP 04 | INSTALL SCREEN MODULE



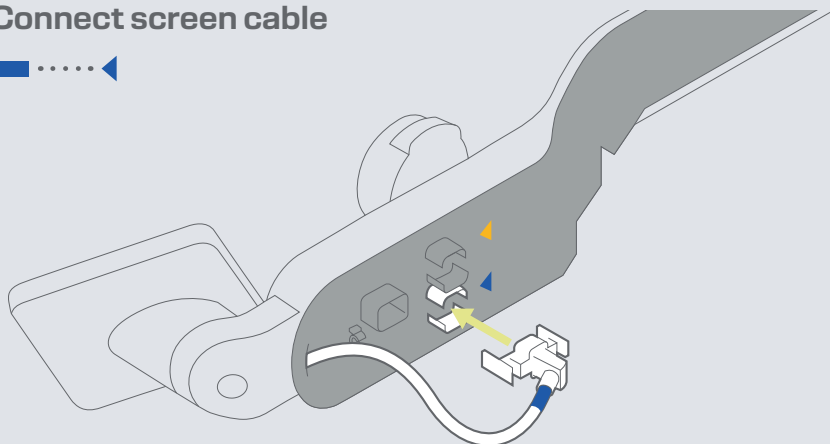
Video instructions for left-handed assembly



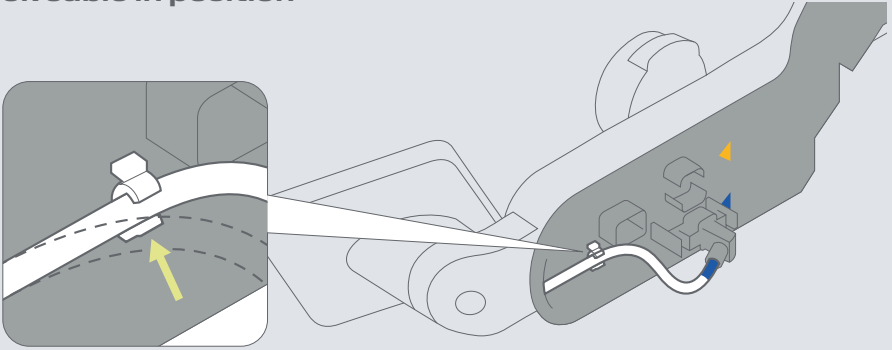
10 Remove screen cover



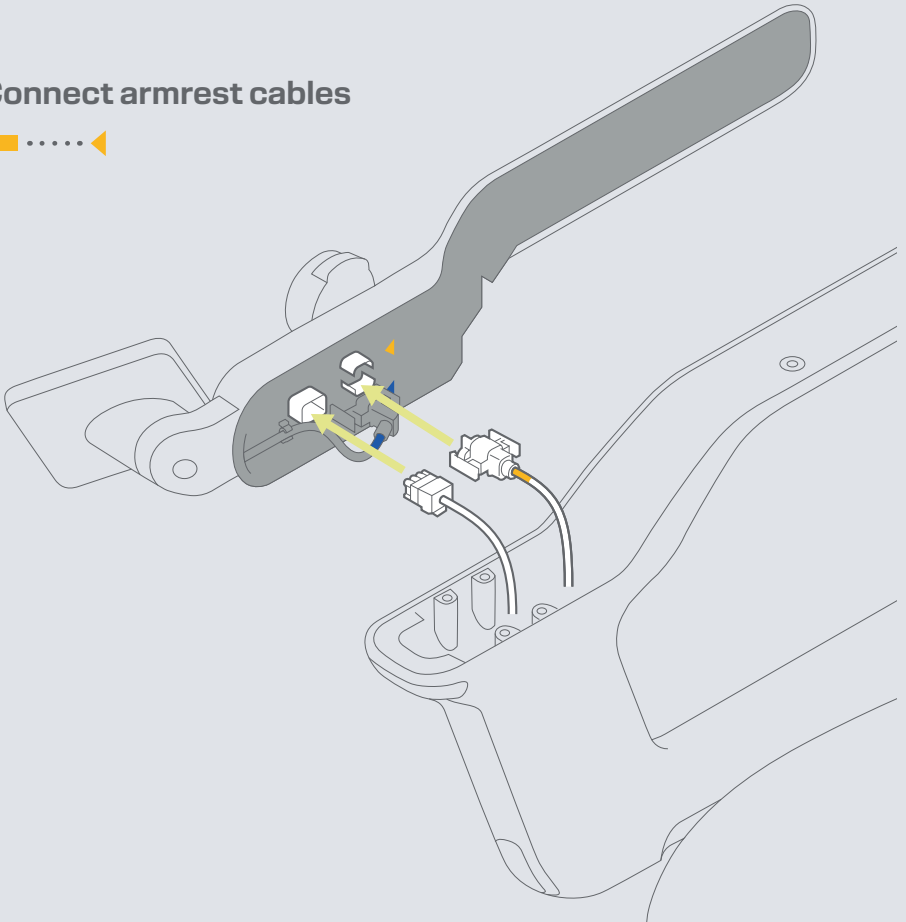
11 Connect screen cable






12 Lock cable in position

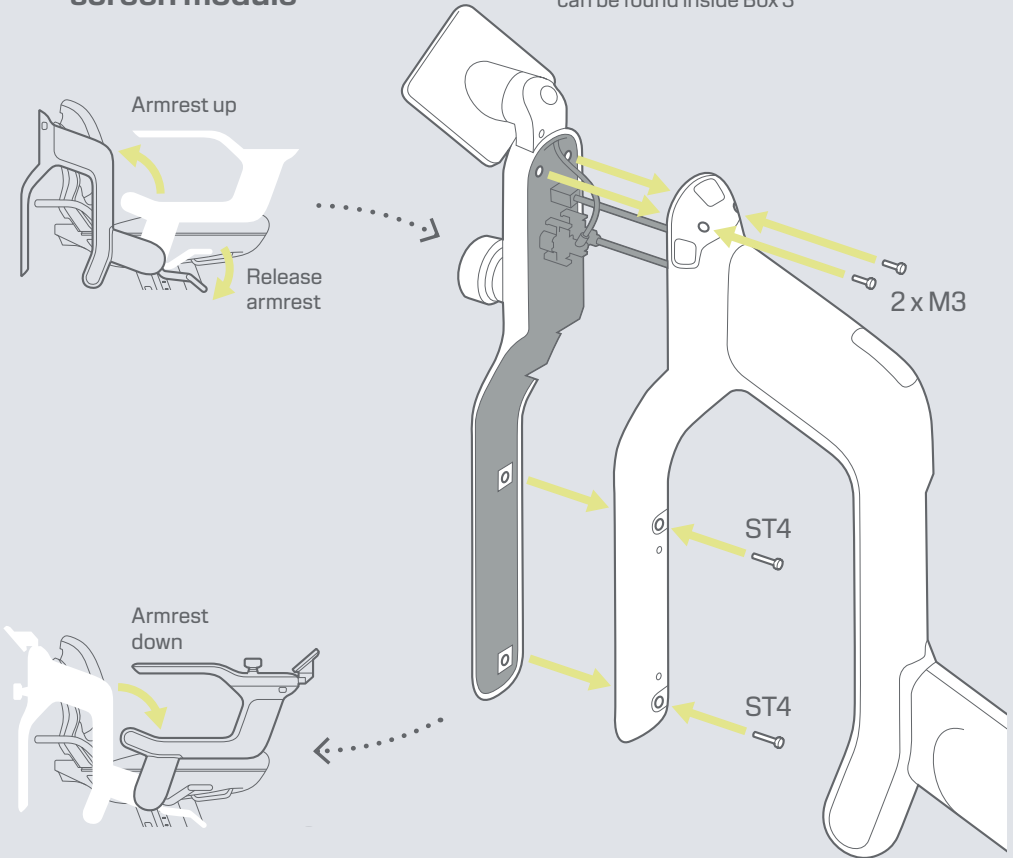


13 Connect armrest cables

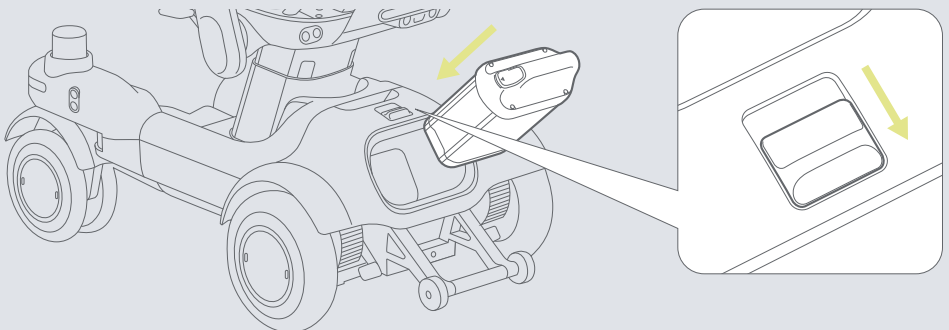


14 Lift armrest up, use H3 tool to secure screen module

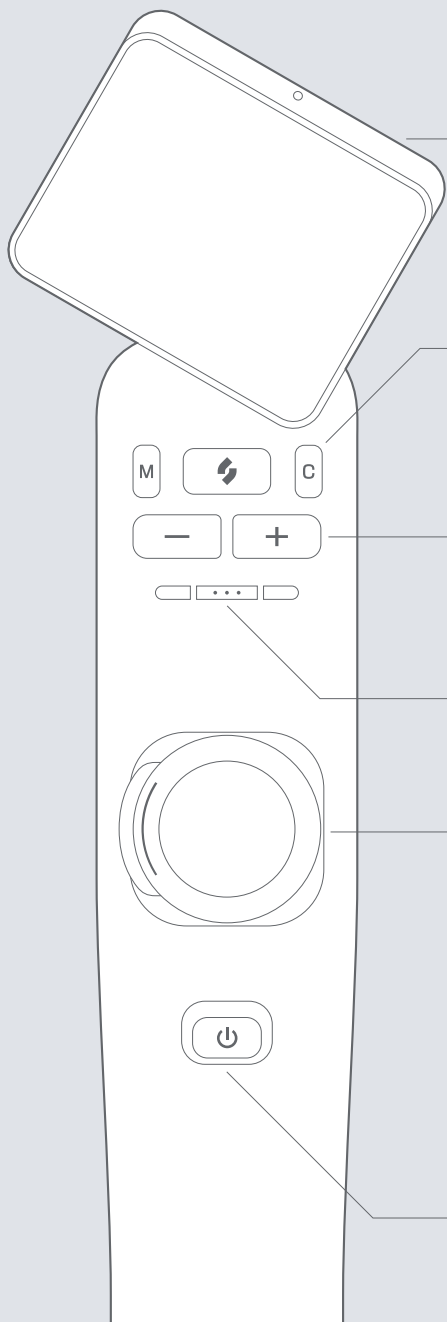
  
H3 Tool, ST4, and M3 screws
can be found inside Box 3



15 Install battery



STEP 05 | CONTROLS



Touchscreen

3 angles available. Watch video instructions for more details.

Driving modes



Manual



Strutt button



Short press
Co-pilot
Long press
Co-pilot+

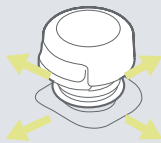
Speed control

— Decrease

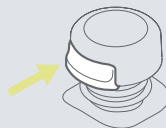
+ Increase

Horn

Joystick



Push to navigate
direction



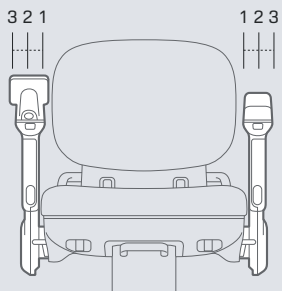
Joystick button¹

¹Adjustable button position, watch video instructions for more details.

Power button

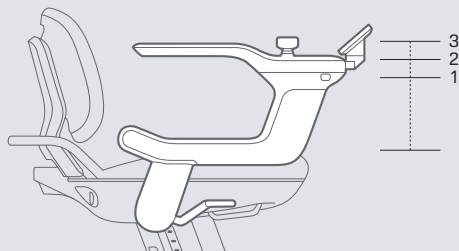
- Short press for wake up / sleep
- Long press for power on / off

ADJUSTMENTS



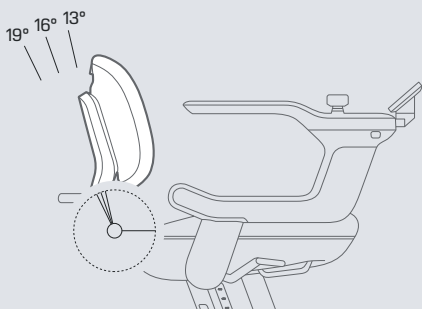
Armrest Width

17" - 20" / 442mm - 518mm



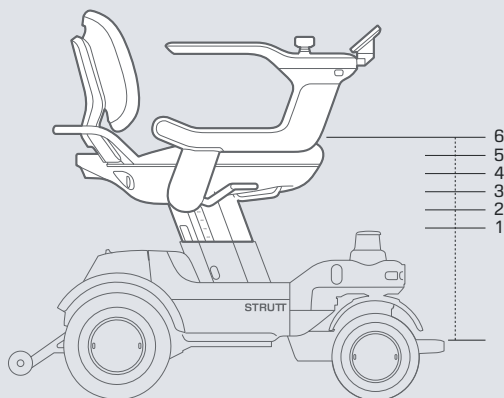
Armrest Height

8" - 10" / 200mm - 260mm



Backrest Angle

13° / 16° / 19°



Seat Height

16" - 20" / 400mm - 500mm

Video instructions
for adjustments



Download the Strutt app

