

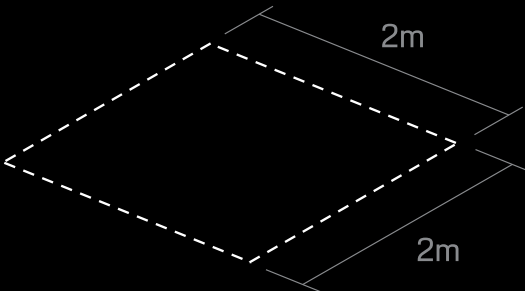


Setup Guide

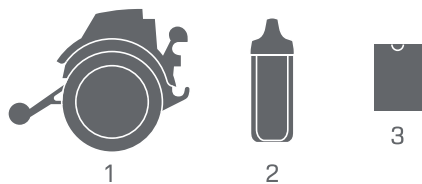
User guide and
technical support:



To ensure a safe assembly, please clear a level floor space of at least 2x2m before beginning.

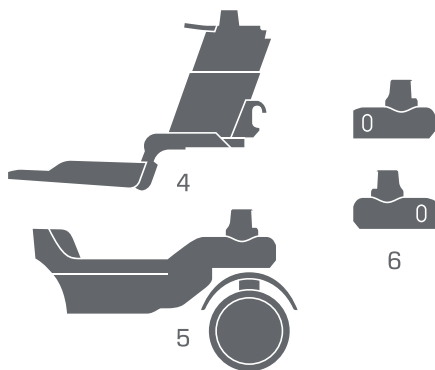


WHAT'S INCLUDED



Box 1

1. Rear chassis
2. Long-range battery
3. Startup kit



Box 2

4. Main support
5. Front chassis
6. Sensor covers



Box 3

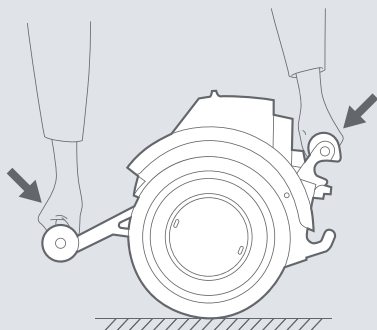
7. Universal mount
8. Seat cushion
9. Screen module
10. Compact backrest
11. Seat
12. H3 Tool and screws kit
13. H5 and H6 tool
14. Charger cable
15. Fast charger
16. Seat storage
17. Accessory kit
18. Screen cover

LIFTING GUIDE



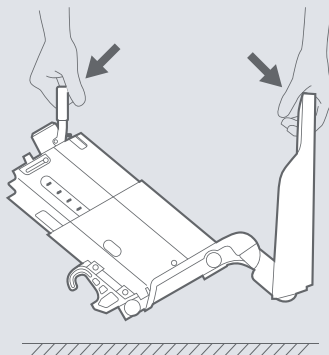
Box 1

REAR CHASSIS



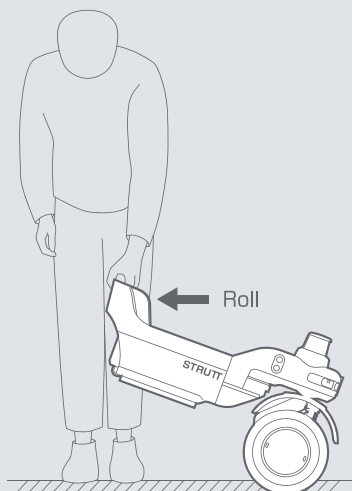
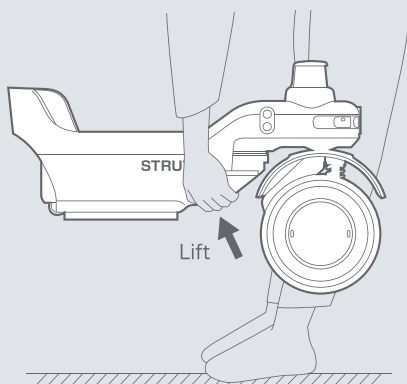
Box 2

MAIN SUPPORT



Box 2

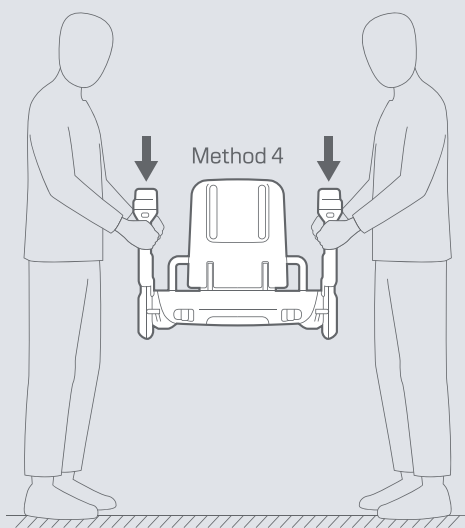
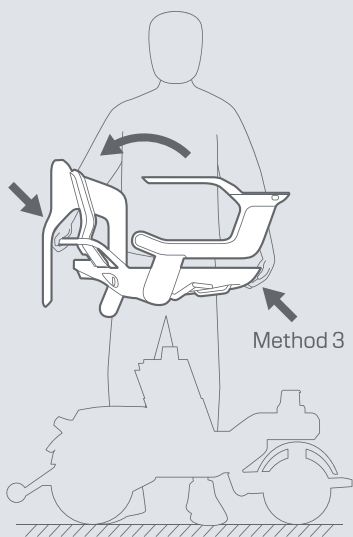
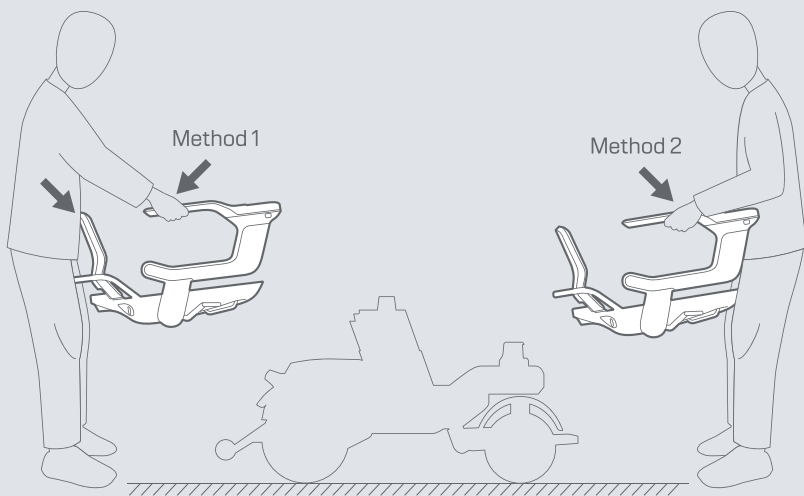
FRONT CHASSIS





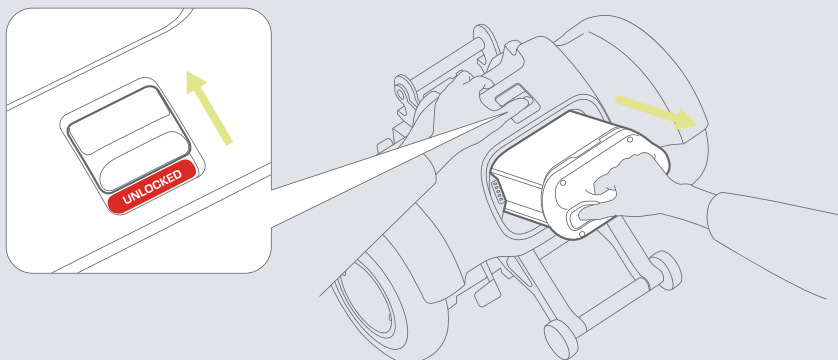
Box 3

SEAT

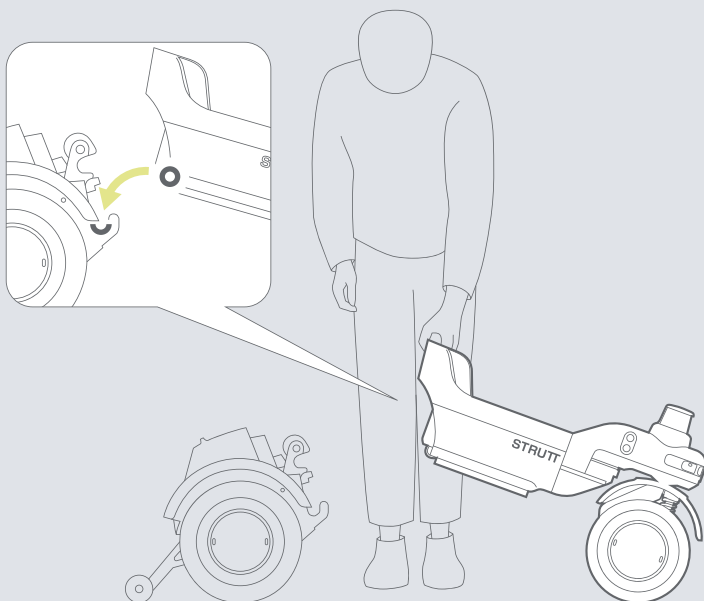


STEP 01 | CHASSIS ASSEMBLY

01 Unlock and remove battery

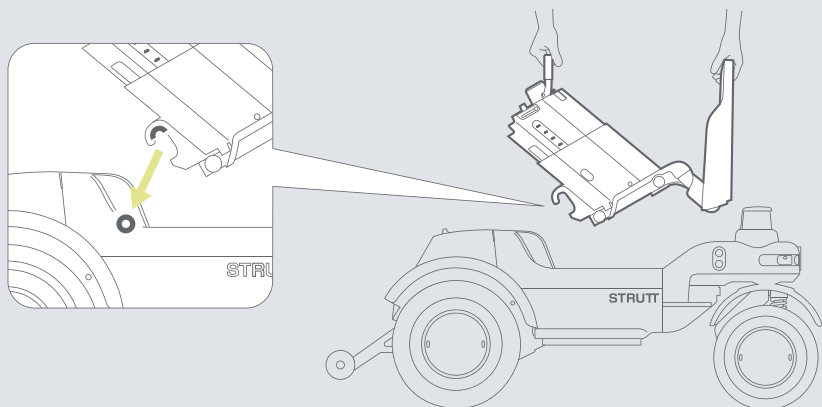


02 Connect front and rear chassis

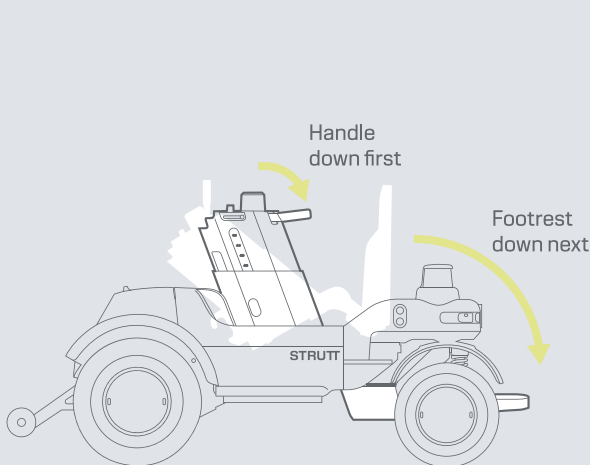


STEP 02 | INSTALL MAIN SUPPORT

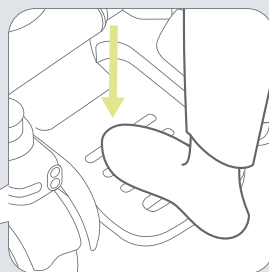
03 Hook the main support onto the chassis



04 Rotate handle to secure the main support



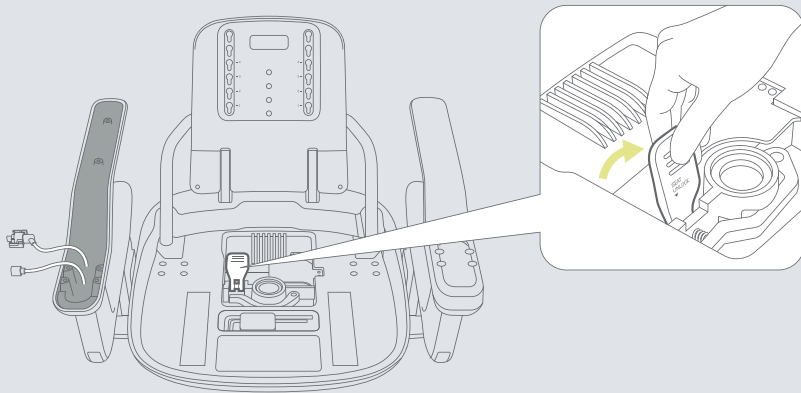
05 Step on footrest to lock the main support



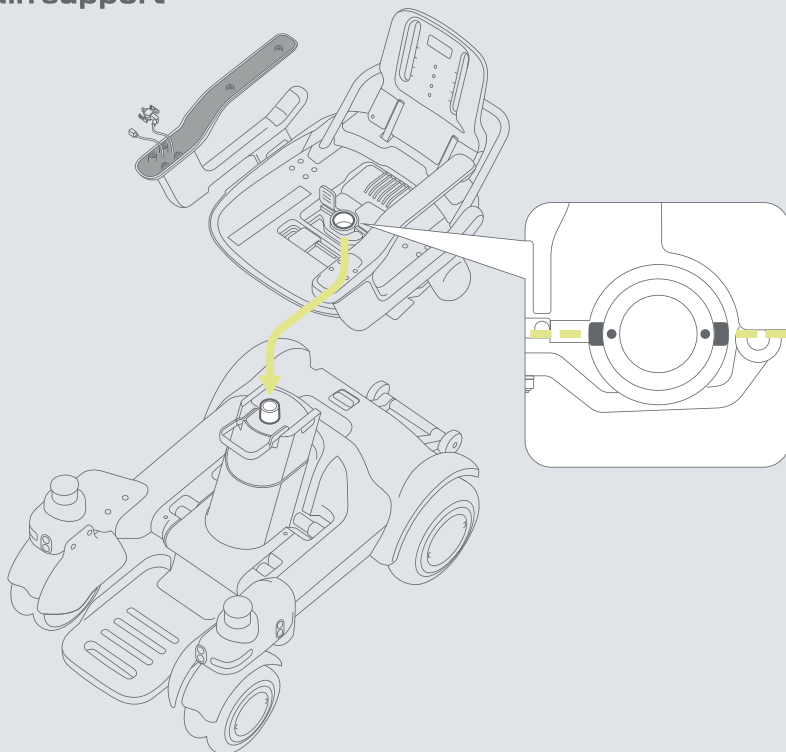
When raising and lowering the footrest, contact between footrest and wheelguard is normal.

STEP 03 | INSTALL SEAT

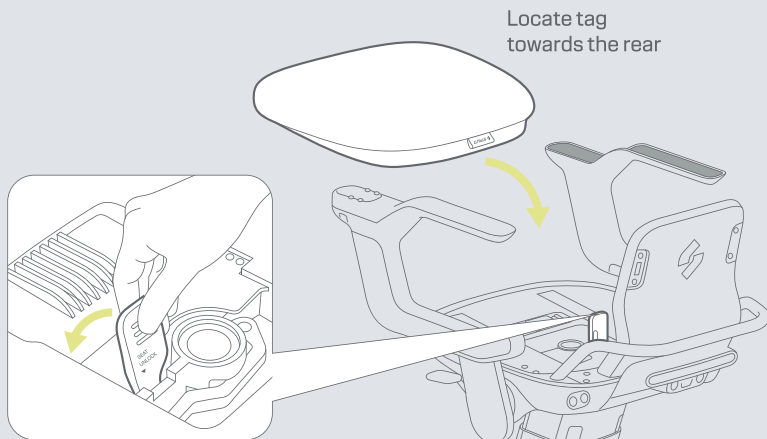
06 Unlock seat



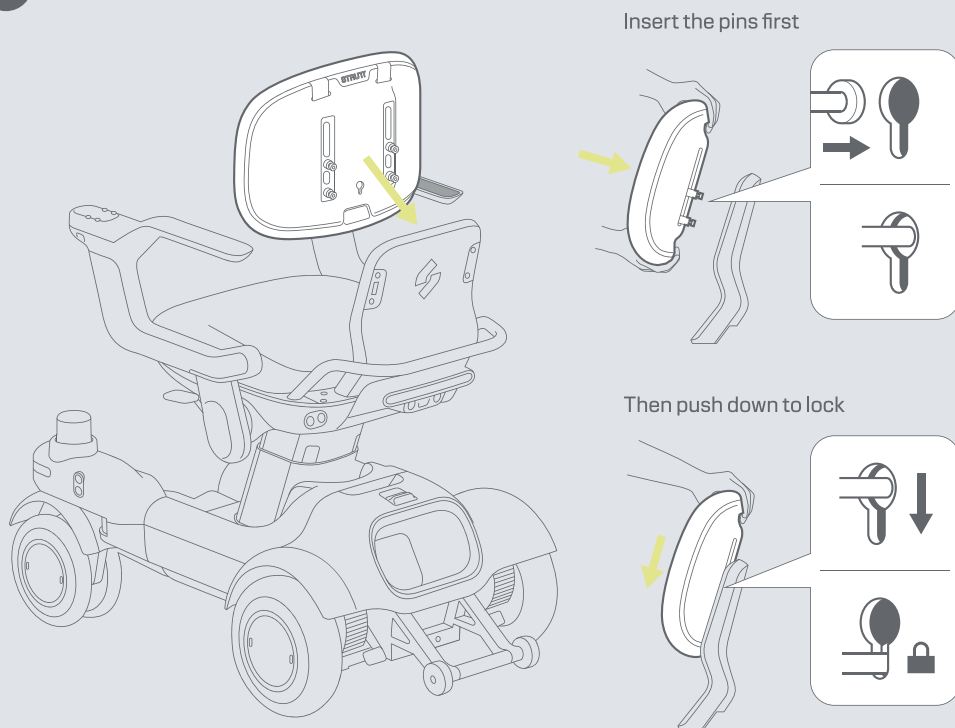
07 Install seat onto main support



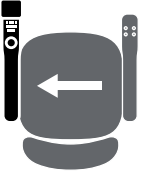
08 Lock seat and install cushion



09 Install backrest



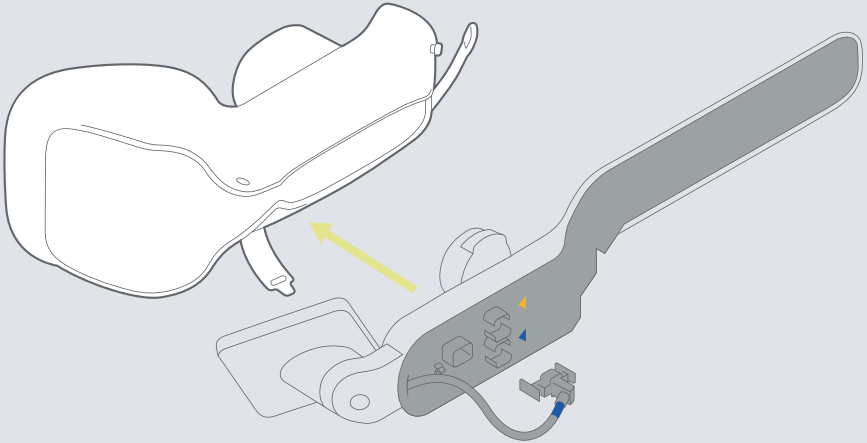
STEP 04 | INSTALL SCREEN MODULE



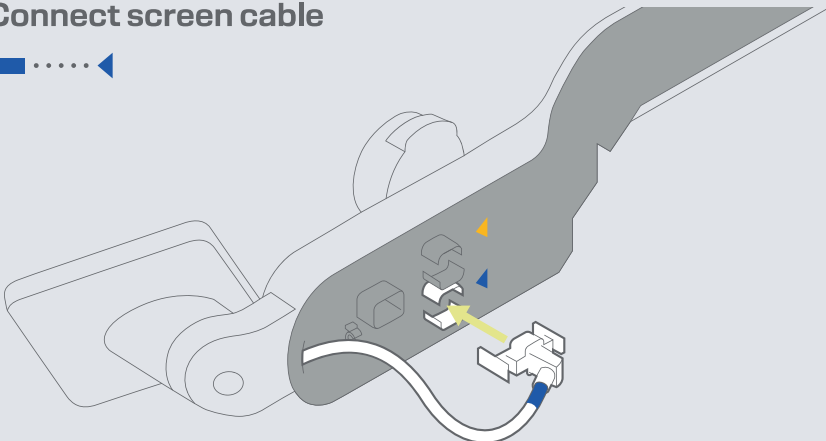
Video instructions for left-handed assembly



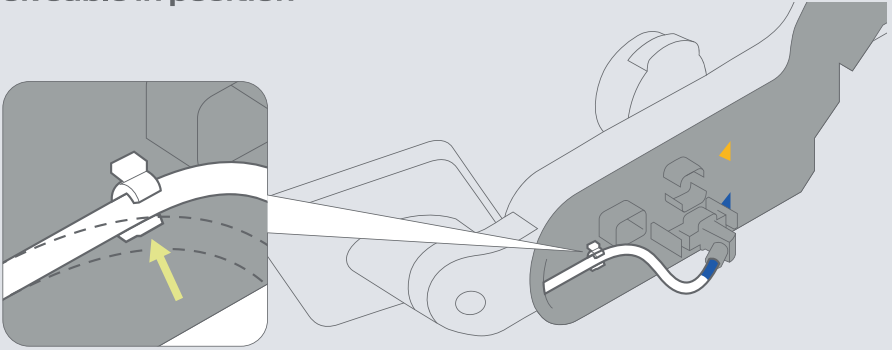
10 Remove screen cover



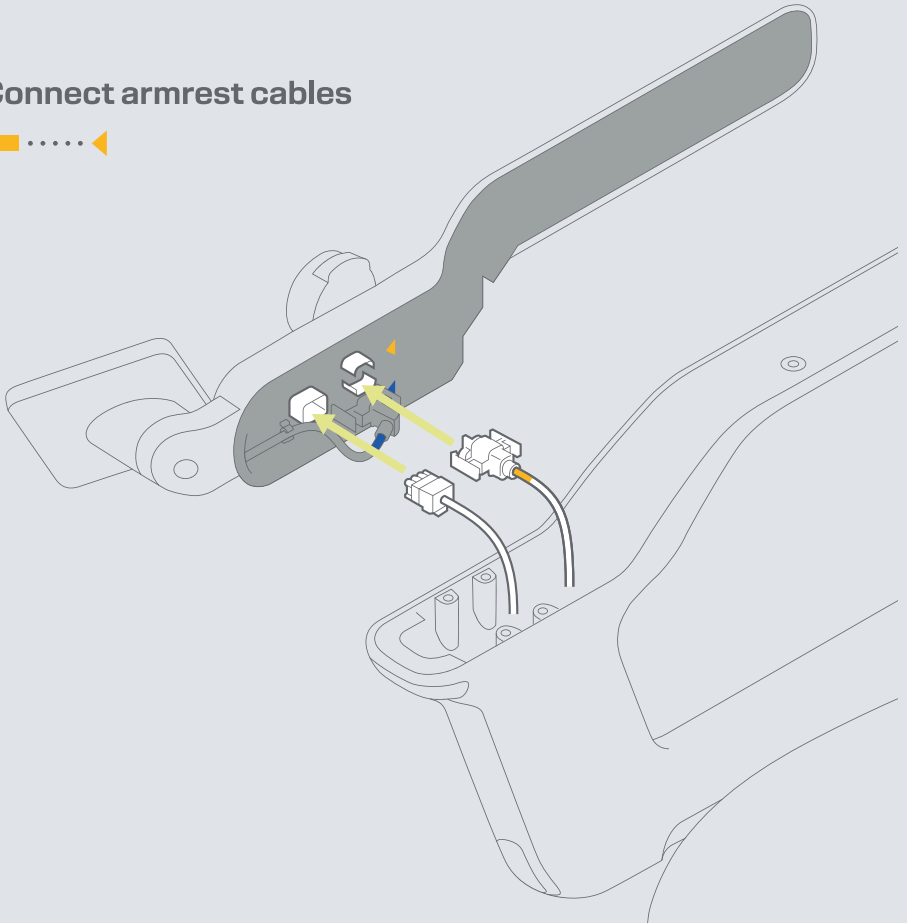
11 Connect screen cable



12 Lock cable in position



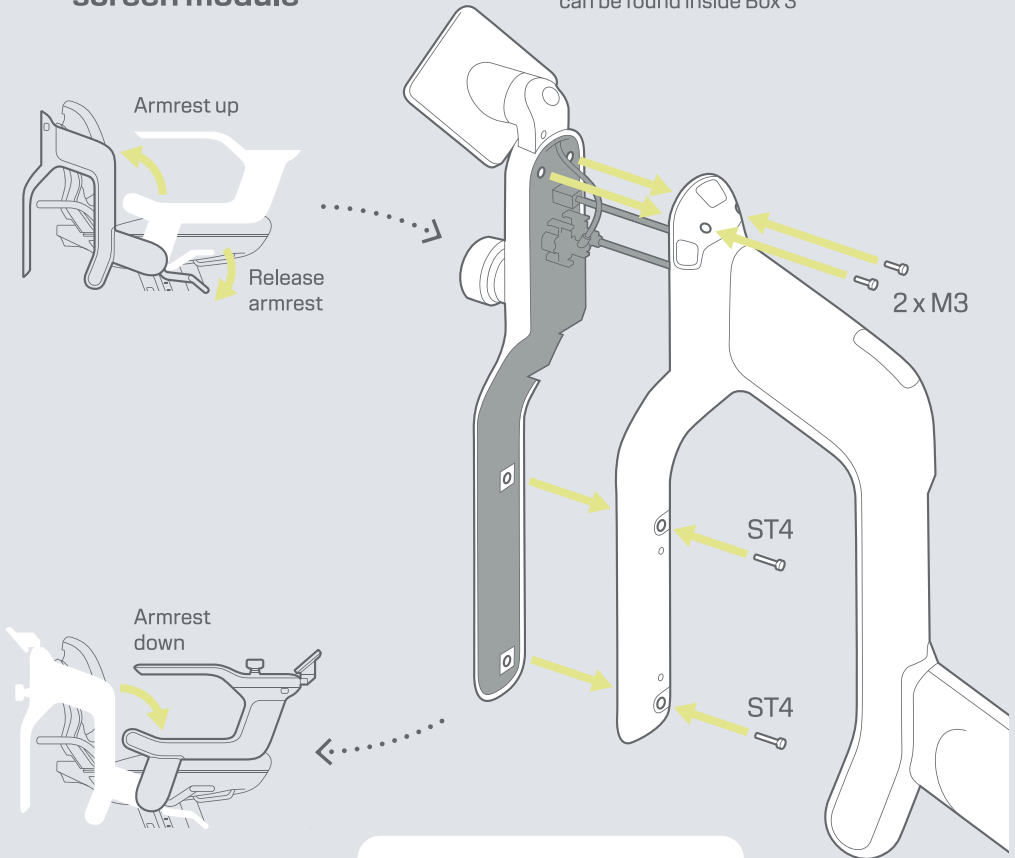
13 Connect armrest cables



14 Lift armrest for easy access,
use H3 tool to secure
screen module

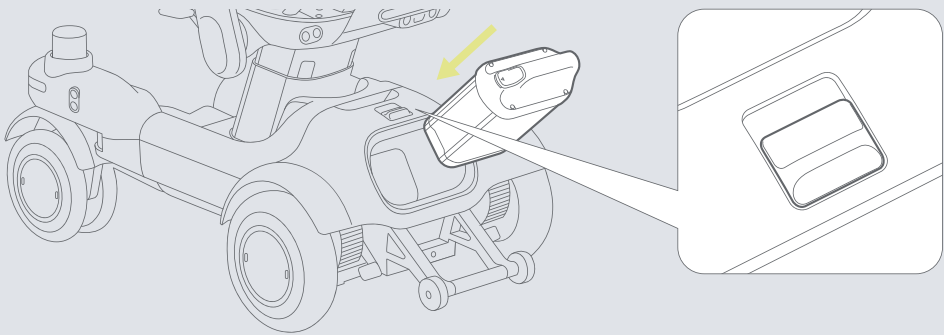


H3 Tool, ST4, and M3 screws
can be found inside Box 3

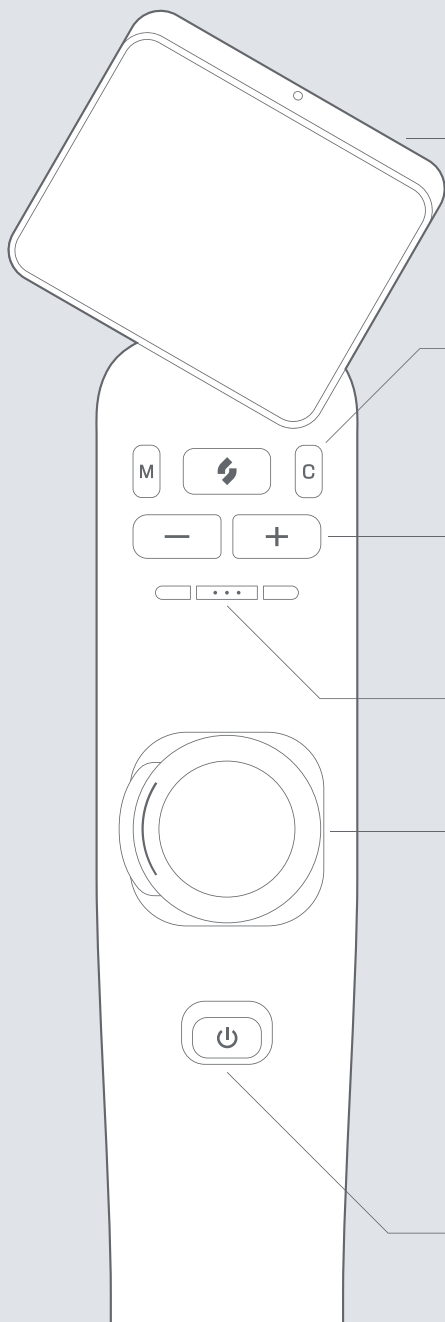


15 Install battery

Return the H3 tool
to the under-seat
tool kit after use.



STEP 05 | CONTROLS



Touchscreen

3 angles available. Watch video instructions for more details.



Driving modes



Manual



Strutt button



Short press
Co-pilot
Long press
Co-pilot+

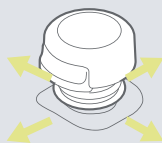
Speed control

— Decrease

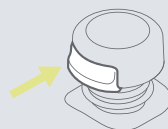
+ Increase

Horn

Joystick



Push to navigate
direction



Joystick button¹

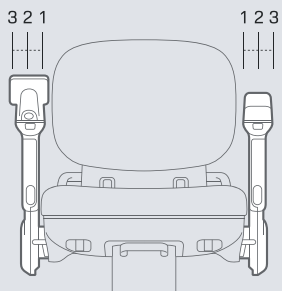
¹Adjustable button position, watch video instructions for more details.



Power button

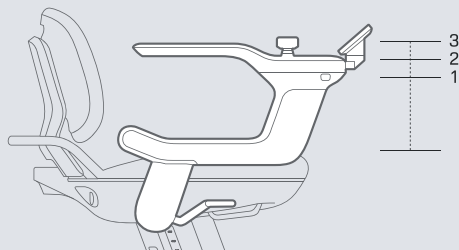
- Short press for wake up / sleep
- Long press for power on / off

ADJUSTMENTS



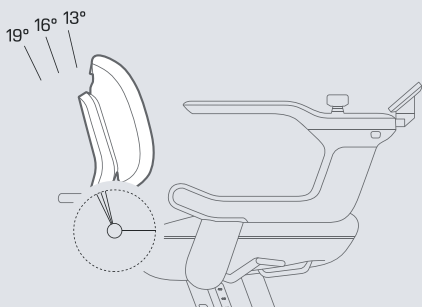
Armrest Width

17" - 20" / 442mm - 518mm



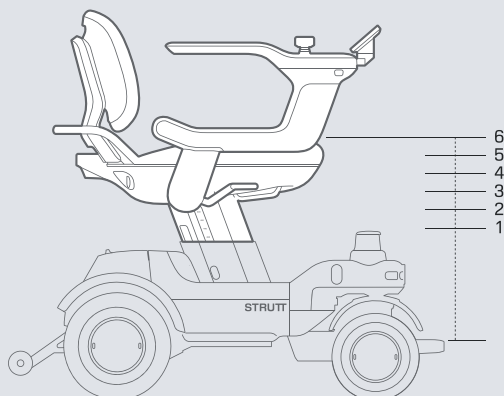
Armrest Height

8" - 10" / 200mm - 260mm



Backrest Angle

13° / 16° / 19°



Seat Height

16" - 20" / 400mm - 500mm

Video instructions
for adjustments



ev¹ is not a medical device

Download the Strutt app

