

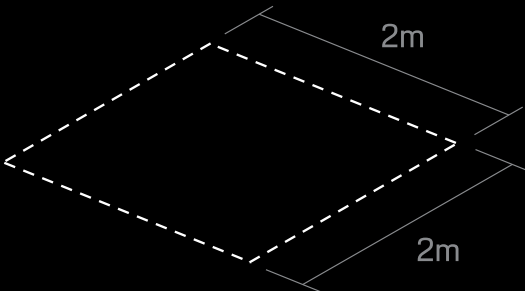


# Setup Guide

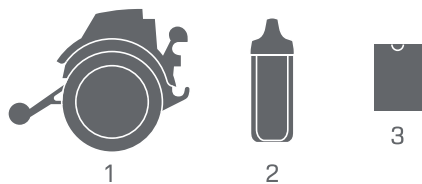
User guide and  
technical support:



To ensure a safe assembly, please clear a level floor space of at least 2x2m before beginning.

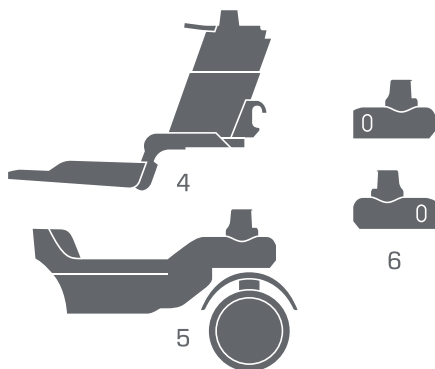


# WHAT'S INCLUDED



## Box 1

1. Rear chassis
2. Long-range battery
3. Startup kit



## Box 2

4. Main support
5. Front chassis
6. Sensor covers



## Box 3

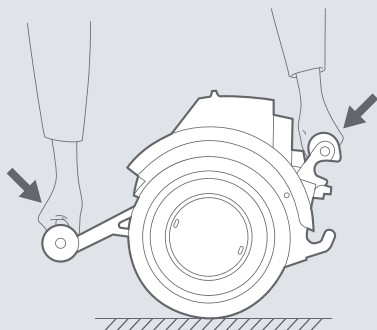
7. Universal mount
8. Seat cushion
9. Screen module
10. Compact backrest
11. Seat
12. H3 Tool and screws kit
13. H5 and H6 tool
14. Charger cable
15. Fast charger
16. Seat storage
17. Accessory kit
18. Screen cover

# LIFTING GUIDE



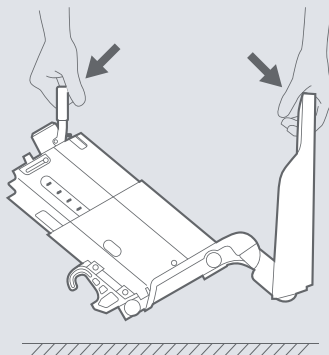
Box 1

## REAR CHASSIS



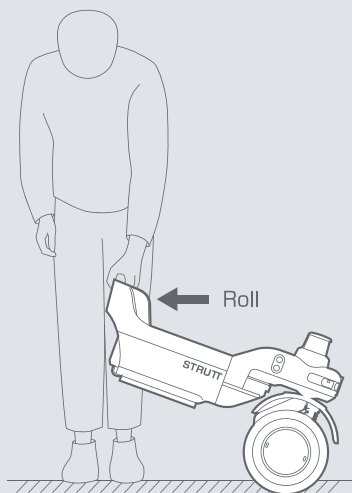
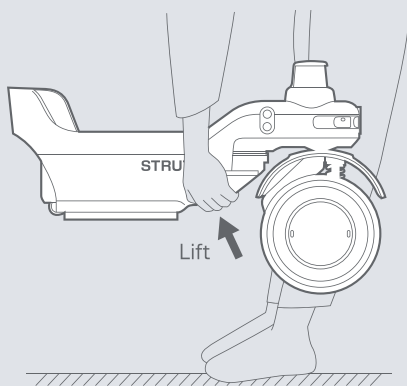
Box 2

## MAIN SUPPORT



Box 2

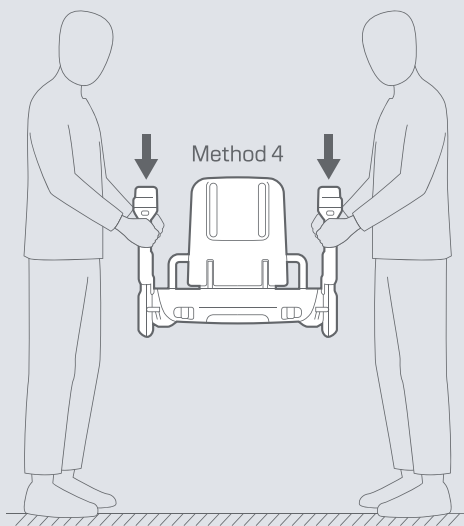
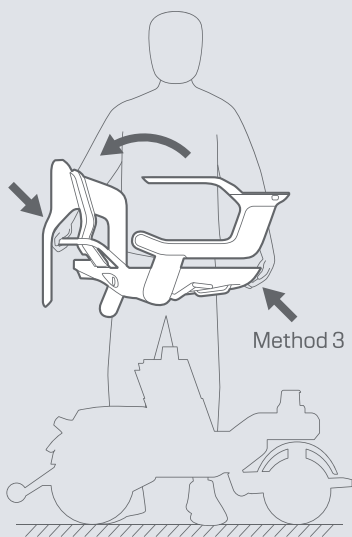
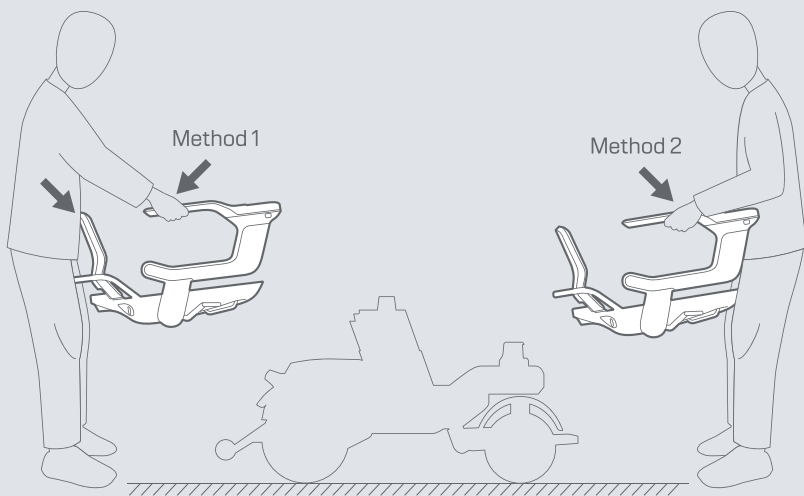
## FRONT CHASSIS





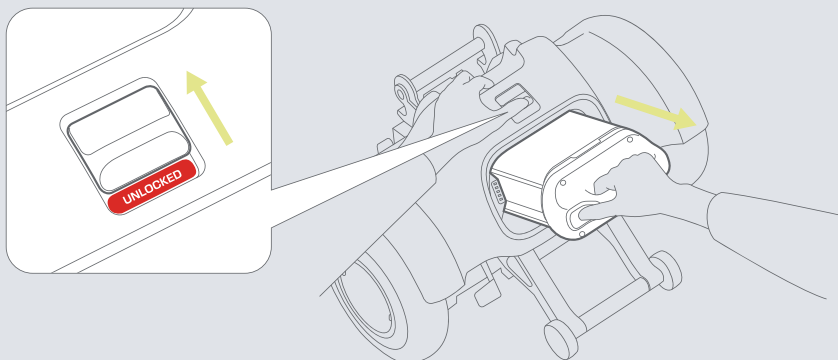
Box 3

## SEAT

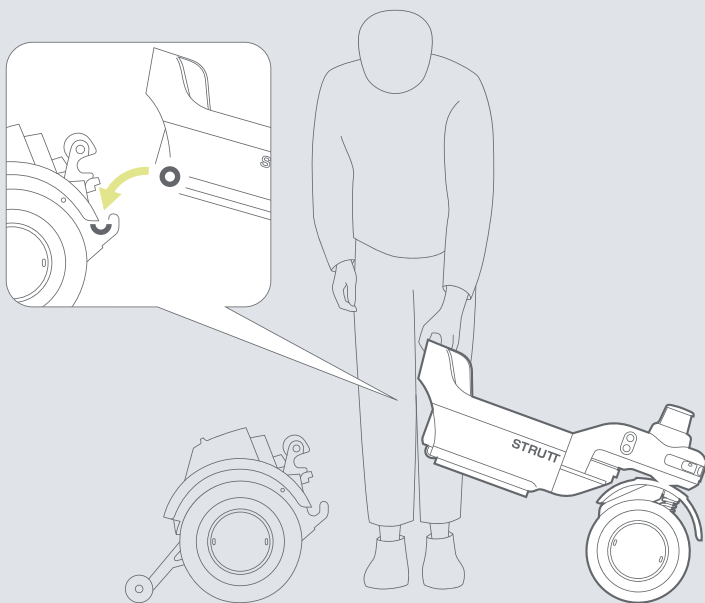


# STEP 01 | CHASSIS ASSEMBLY

## 01 Unlock and remove battery

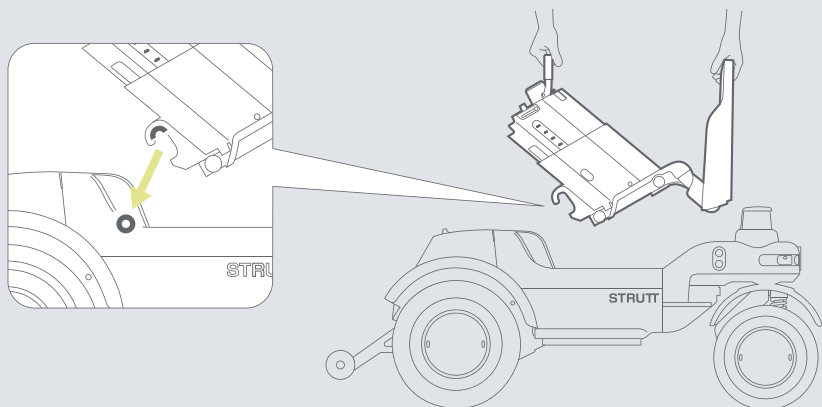


## 02 Connect front and rear chassis

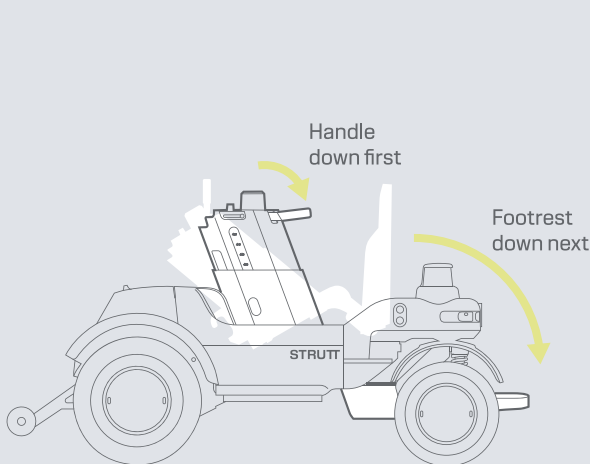


## STEP 02 | INSTALL MAIN SUPPORT

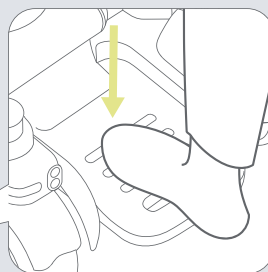
### 03 Hook the main support onto the chassis



### 04 Rotate handle to secure the main support



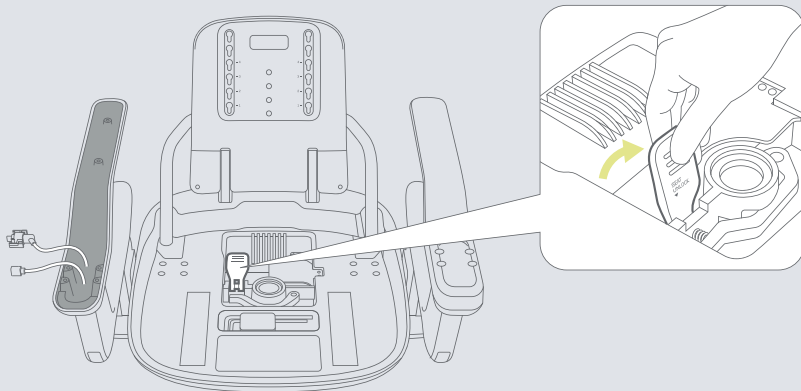
### 05 Step on footrest to lock the main support



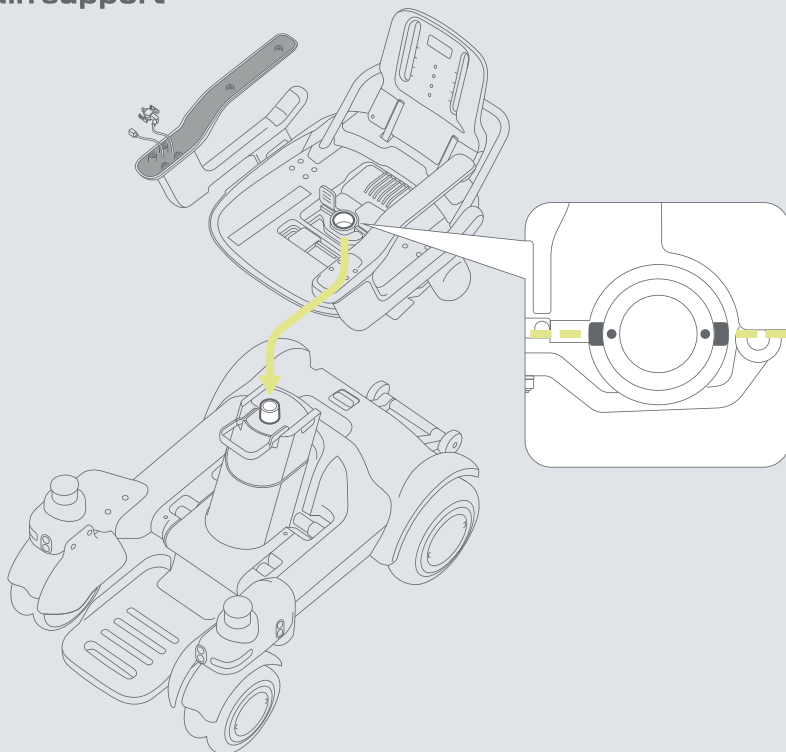
During rotation, contact between footrest and wheelguard is normal.

# STEP 03 | INSTALL SEAT

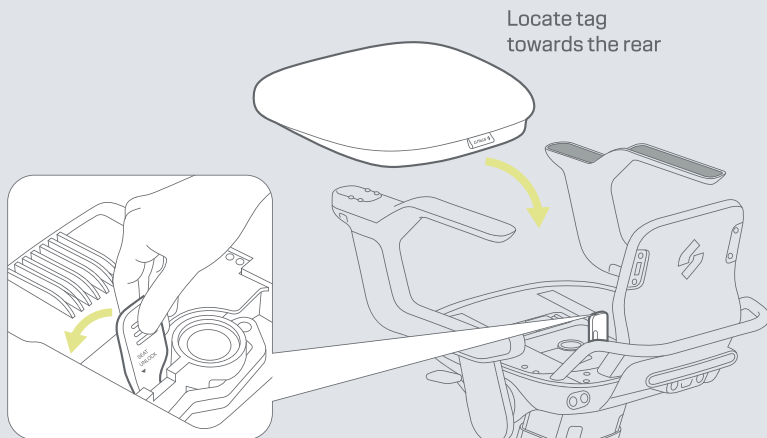
## 06 Unlock seat



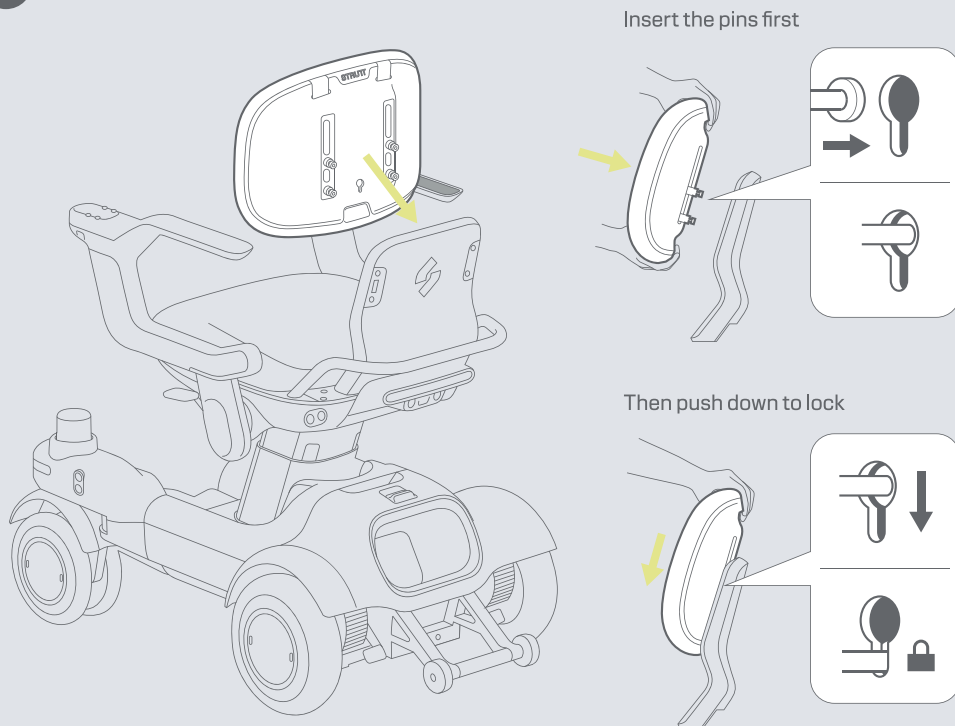
## 07 Install seat onto main support



## 08 Lock seat and install cushion



## 09 Install backrest



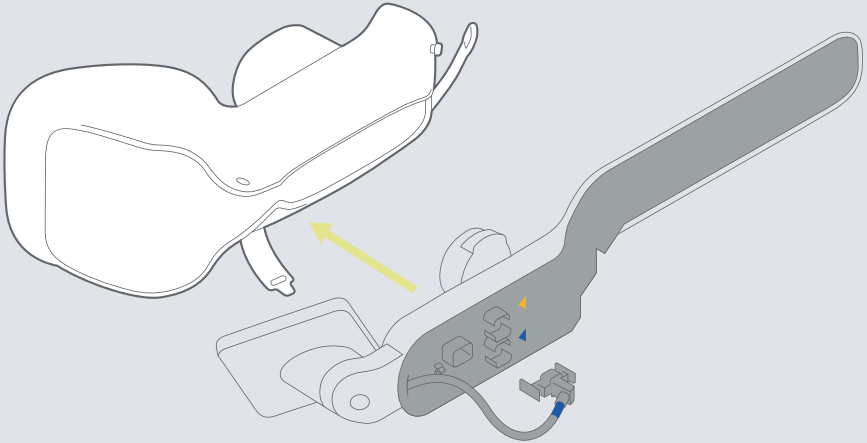
# STEP 04 | INSTALL SCREEN MODULE



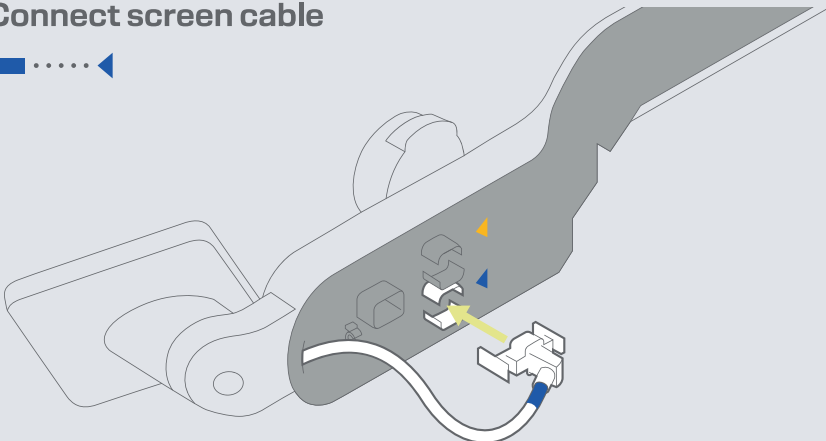
Video instructions for left-handed assembly



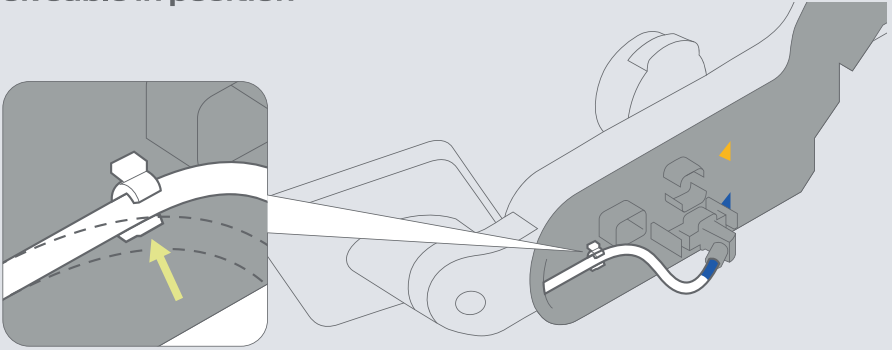
## 10 Remove screen cover



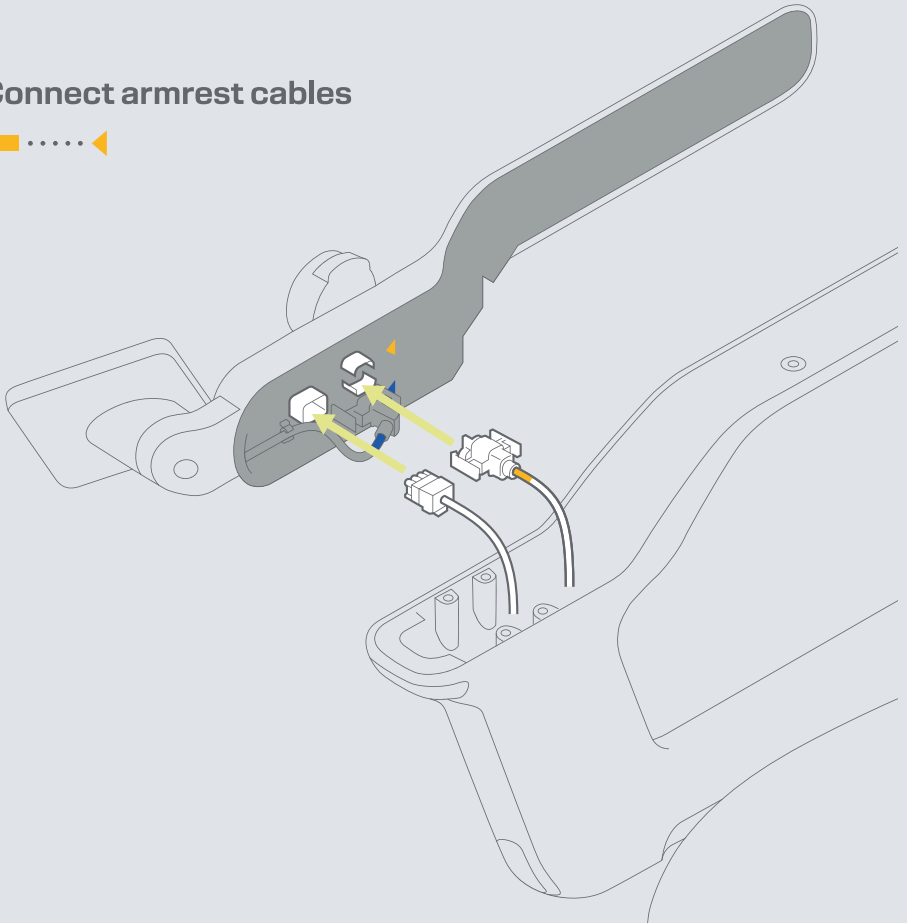
## 11 Connect screen cable



## 12 Lock cable in position



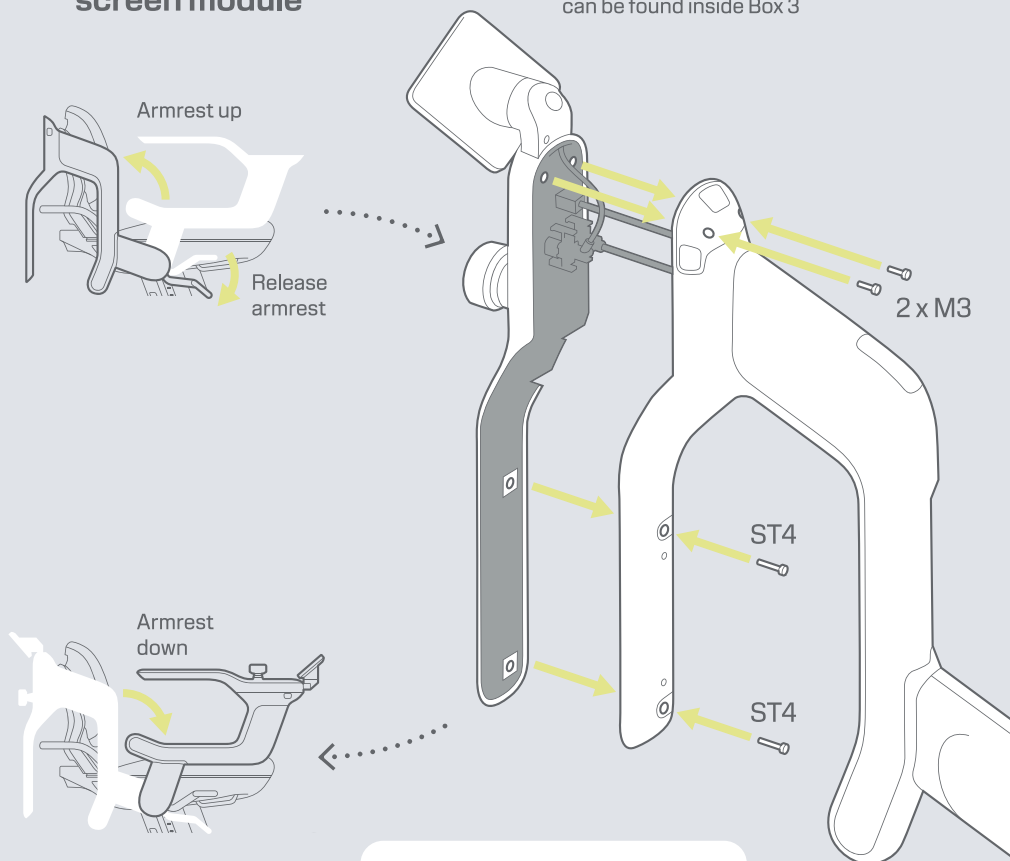
## 13 Connect armrest cables



**14** Lift armrest up for easy access, use H3 tool to secure screen module

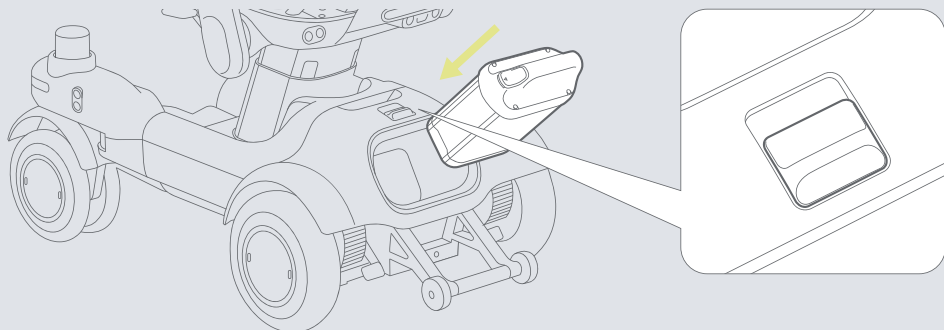


H3 Tool, ST4, and M3 screws can be found inside Box 3

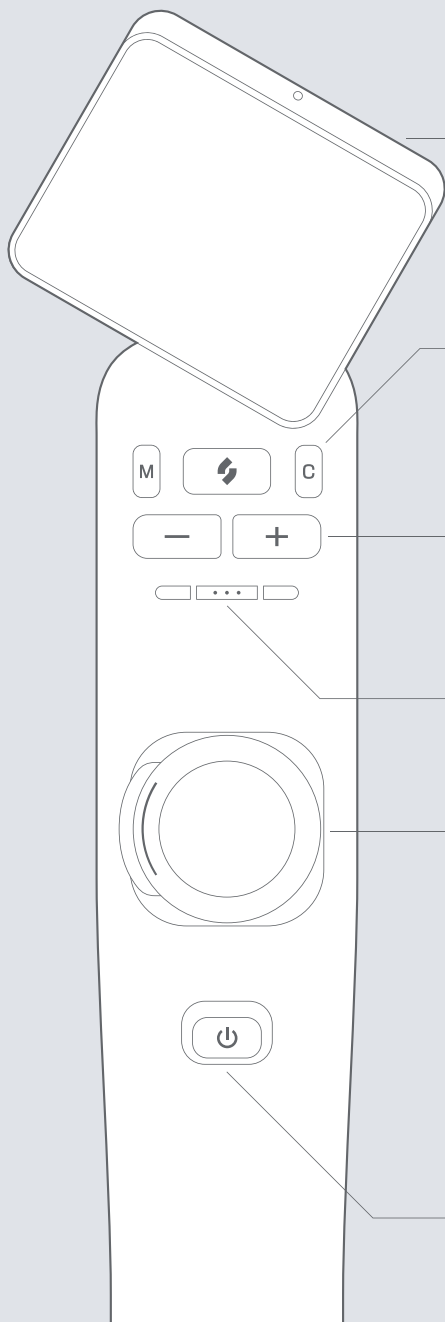


**15** Install battery

Return the H3 tool to the under-seat tool kit after use.



# STEP 05 | CONTROLS



## Touchscreen

3 angles available. Watch video instructions for more details.

## Driving modes



Manual



Strutt button



Short press  
Co-pilot  
Long press  
Co-pilot+

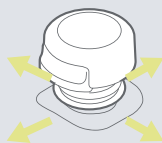
## Speed control

— Decrease

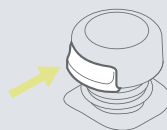
+ Increase

## Horn

## Joystick



Push to navigate  
direction



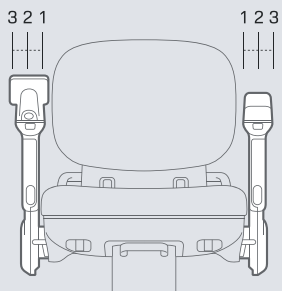
Joystick button<sup>1</sup>

<sup>1</sup>Adjustable button position, watch video instructions for more details.

## Power button

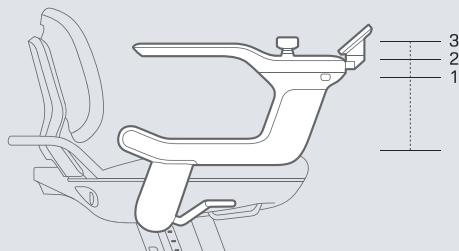
- Short press for wake up / sleep
- Long press for power on / off

# ADJUSTMENTS



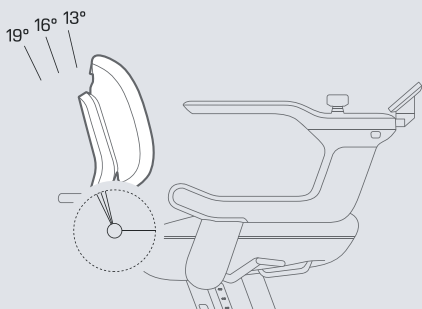
## Armrest Width

17" - 20" / 442mm - 518mm



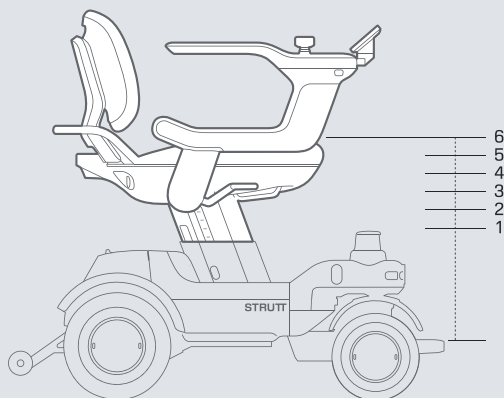
## Armrest Height

8" - 10" / 200mm - 260mm



## Backrest Angle

13° / 16° / 19°



## Seat Height

16" - 20" / 400mm - 500mm

Video instructions  
for adjustments





ev<sup>1</sup> is not a medical device

Download the Strutt app

